

Dynapac SD2550CS

Tracked pavers

Atlas Copco



Technical data



Masses

Weight (incl. standard screed)	20 t
--------------------------------	------



Dimensions

Basic width	2.55 m
Working width, max.	14.00 m
Working width, minimum (with reducing shoe)	2.05 m
Front ramp angle	13°



Capacity

Placement thickness (max)	360 mm
Theoretical placement capacity	1,100 t/h



Material hopper

Capacity	7.0 m ³
Dumping height (center/outside)	525 mm /530 mm
Hopper width, internal	3,292 mm



Traction

Maximum paving speed	28 m/min
Transport speed	4 km/h



Engine

Manufacturer/Model	Cummins QSB 6.7-C260
Rated power, SAE J1995	194 kW @ 2200rpm with infinitely variable eco-mode
Emissions according to	Stage IIIA/IV (Tier 3/4f)
Electrical system	24 V
Fuel tank capacity	320 l



Undercarriage

Crawler length	3,360 mm
Crawler width	320 mm



Conveyor

Conveyor type	Dual bar feeder
Conveyor width	2x 655 mm
Conveyor control	Automatic with limit switches



Auger

Auger diameter	500 mm
Auger control	Automatic with ultrasonic sensors

Find us locally at www.atlascopco.com

We reserve the right to change specifications without notice. Photos and illustrations do not always show standard versions of machines. The above information is a general description only, all informations are supplied without liability.

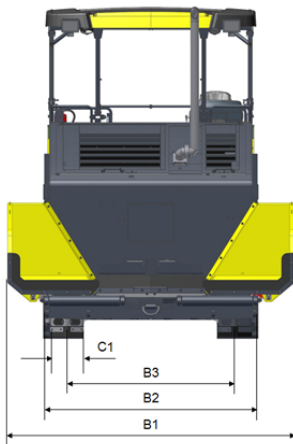
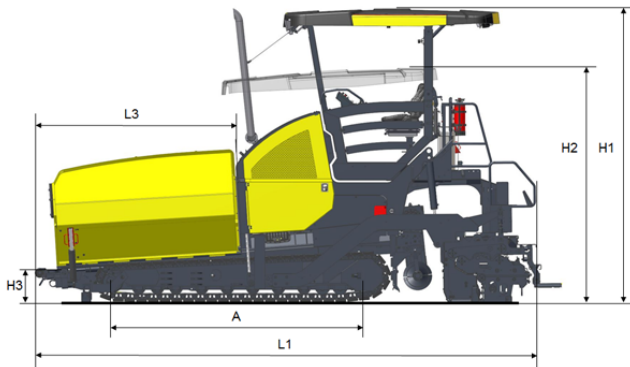
rce_sd2550cs_en-20150603.125019.pdf 2015-06-03 12:50

Dynapac SD2550CS

Tracked pavers

Atlas Copco

Technical data



Dimensions	
A. Axle track	3,360 mm
B1. Width, max.	3,468 mm
B2. Width, standard	2,550 mm
B3. Width, center of tracks	1,992 mm
C1. Track width	320 mm
H1. Height, max.	3,900 mm
H2. Height, transport	3,100 mm
H3. Height	463 mm
L1. Length	6,625 mm
L3. Length, hopper	2,604 mm

Find us locally at www.atlascopco.com

We reserve the right to change specifications without notice. Photos and illustrations do not always show standard versions of machines. The above information is a general description only, all informations are supplied without liability.

rce_sd2550cs_en-20150603.125019.pdf 2015-06-03 12:50