

# Dynapac SD2500W

## Wheeled pavers

Atlas Copco



### Technical data



#### Masses

Weight incl. V5100TV	18 t
----------------------	------



#### Dimensions

Basic width	2.55 m
Working width, max.	7.50 m
Working width, minimum (with reducing shoe)	2.05 m
Front ramp angle	17°



#### Capacity

Theoretical placement capacity	700 t/h
Placement thickness (max)	300 mm



#### Material hopper

Capacity	6.0 m <sup>3</sup> ()
Dumping height (center/outside)	574mm/587mm
Hopper width, internal	3,142 mm



#### Traction

Maximum paving speed	30 m/min
Transport speed	20.0 km/h



#### Engine

Manufacturer/Model	Cummins QSB 6.7-C173
Rated power	129 kW () @ 2,200 rpm
Emissions according to	Stage IIIA/IIIB/IV (T3/T4i/T4f)
Electrical system	24V
Fuel tank capacity	315 l



#### Undercarriage

Final drive	Direct drive over transmissions
Tyre size	445/80R25
Front wheels	4 x 560/300-390
Wheel drive	2x rear wheel + 2x front wheel
Turning radius (inside)	2,477 mm
Turning radius (outside)	6,065 mm



#### Conveyor

Conveyor type	Dual bar feeder
Conveyor width	2 x 580 mm
Conveyor control	Two independent conveyor with infinitely variable proportional control



#### Auger

Auger diameter	380 mm
Auger control	Two reversible augers with ultrasonic control

Find us locally at [www.atlascopco.com](http://www.atlascopco.com)

We reserve the right to change specifications without notice. Photos and illustrations do not always show standard versions of machines. The above information is a general description only, all informations are supplied without liability.

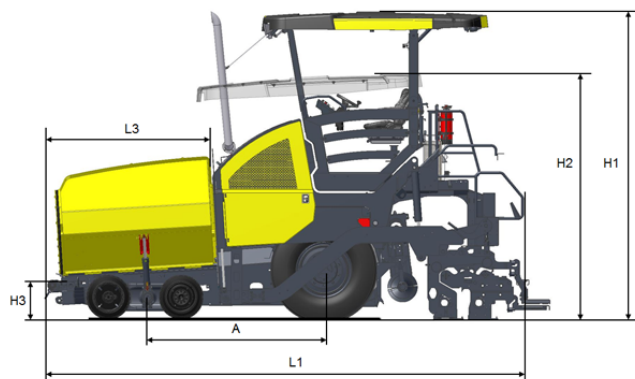
rce\_sd2500w\_en-20161109.102527.pdf 2016-11-09 10:25

# Dynapac SD2500W

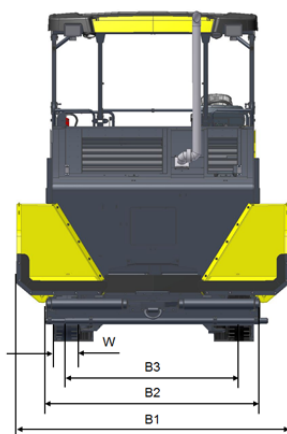
## Wheeled pavers

Atlas Copco

### Technical data



Dimensions	
A. Wheelbase	2,241 mm
B1. Width, max.	3,250 mm
B2. Width, standard	2,250 mm
B3. Width, wheel track	2,053 mm
H1. Height, max.	3,900 mm
H2. Height, transport	3,100 mm
H3. Height	493 mm
L1. Length	6,100 mm
L3. Length, hopper	2,123 mm



Find us locally at [www.atlascopco.com](http://www.atlascopco.com)

We reserve the right to change specifications without notice. Photos and illustrations do not always show standard versions of machines. The above information is a general description only, all informations are supplied without liability.