

Dynapac F2500W

Wheeled pavers

Atlas Copco



Technical data



Masses

Weight (incl. standard screed)	17.5 t
--------------------------------	--------



Dimensions

Basic width	2.55 m
Working width, max.	6.60 m
Working width, minimum (with reducing shoe)	2.05 m
Front ramp angle	17°



Capacity

Theoretical placement capacity	650 t/h
Placement thickness (max)	300 mm



Material hopper

Capacity	6.0 m ³
Dumping height (center/outside)	574 mm / 587 mm
Hopper width, internal	3,142 mm



Traction

Maximum paving speed	30 m/min
Transport speed	15.0 km/h



Engine

Manufacturer/Model	Cummins QSB 6.7-C173
Rated power	110 kW @ 2,200 rpm
Emissions according to	Stage IIIA (Tier 3)
Electrical system	24V
Fuel tank capacity	315 l



Undercarriage

Final drive	Direct drive over transmissions
Tyre size	445/80R25
Front wheels	4 x 560/300-390
Wheel drive	2 rear wheels
Turning radius (inside)	2,477 mm
Turning radius (outside)	6,065 mm



Conveyor

Conveyor type	Dual bar feeder
Conveyor width	2 x 580 mm
Conveyor control	Two independent conveyor with proportional control



Auger

Auger diameter	380 mm
Auger control	Automatic with ultrasonic sensors

Find us locally at www.atlascopco.com

We reserve the right to change specifications without notice. Photos and illustrations do not always show standard versions of machines. The above information is a general description only, all informations are supplied without liability.

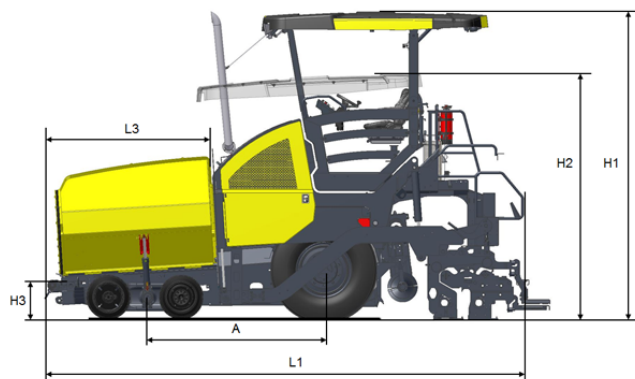
rce_f2500w_en-20150603.132141.pdf 2015-06-03 13:21

Dynapac F2500W

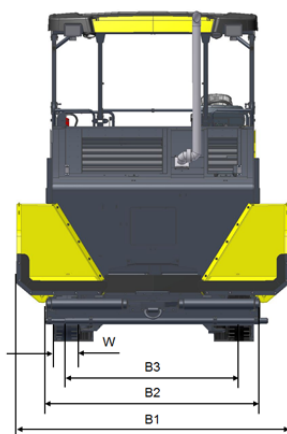
Wheeled pavers

Atlas Copco

Technical data



Dimensions	
A. Wheelbase	2,241 mm
B1. Width, max.	3,250 mm
B2. Width, standard	2,250 mm
B3. Width, wheel track	2,053 mm
H1. Height, max.	3,900 mm
H2. Height, transport	3,100 mm
H3. Height	493 mm
L1. Length	6,100 mm
L3. Length, hopper	2,123 mm



Find us locally at www.atlascopco.com

We reserve the right to change specifications without notice. Photos and illustrations do not always show standard versions of machines. The above information is a general description only, all informations are supplied without liability.